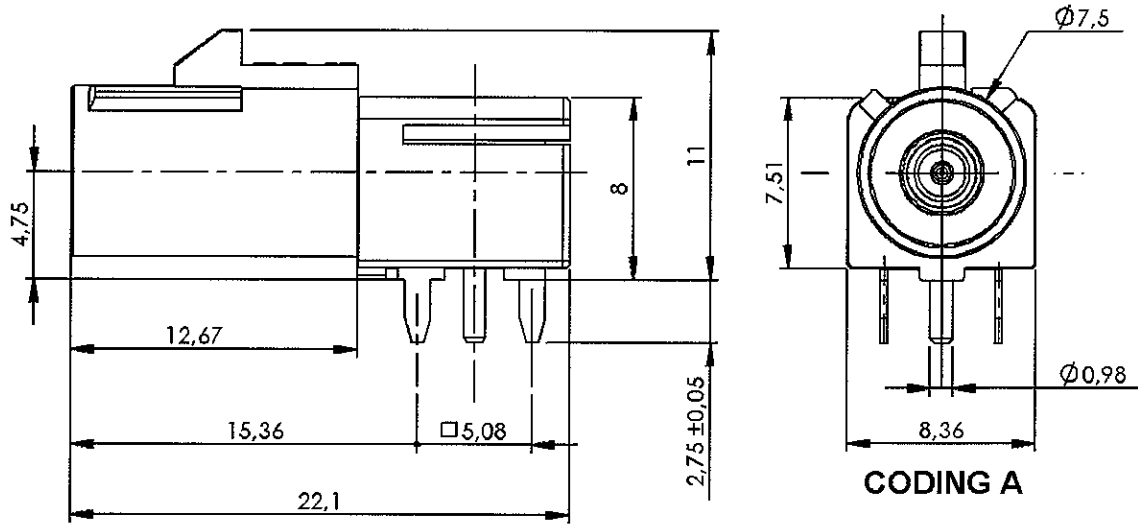


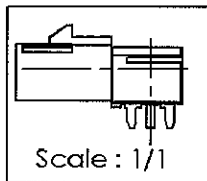
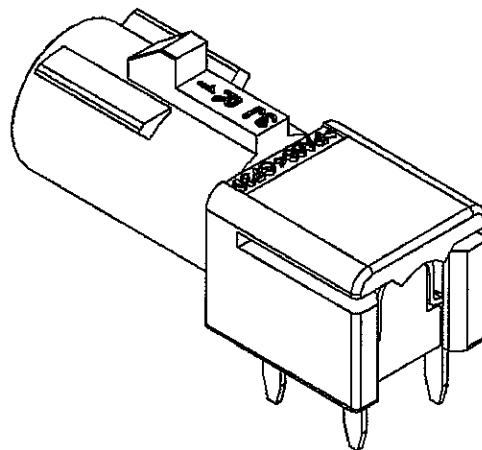
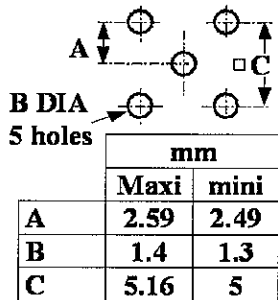
R/A MALE RECEPTACLE FOR PCB
SOLDER LEGS - IN STICK PACKAGING BY 24

R197.166.A20

Series : SMB
 CARLOCK

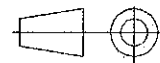


PANEL CUT OUT



THE CONNECTOR MUST BE HOLD IN PLACE DURING THE SOLDERING OPERATION

All dimensions are in mm.



COMPONENTS	MATERIALS	PLATING (µm)
BODY	BRASS	TIN 3 OVER NICKEL 2
CENTER CONTACT	BRASS	GOLD 0.5 OVER NICKEL 2
OUTER CONTACT	-	-
INSULATOR	POLYPROPYLENE	-
GASKET	-	-
OTHERS PARTS	PA 6.6 30% GF (Polyamide)	RAL 9005 BLACK (UL 94 V-2)
-	-	-
-	-	-

Issue : 0615 A

In the effort to improve our products, we reserve the right to make changes judged to be necessary.



R/A MALE RECEPTACLE FOR PCB
SOLDER LEGS - IN STICK PACKAGING BY 24

R197.166.A20

Series : **SMB**
CARLOCK

PACKAGING

Standard	Unit	Other
24	'W' option	Contact us

SPECIFICATION

ELECTRICAL CHARACTERISTICS

Impedance	50	Ω
Frequency	0-3	GHz
VSWR	1.35* + 0,0000	x F(GHz) Maxi
Insertion loss	NA	√F(GHz) dB Maxi
RF leakage	-(NA	- F(GHz)) dB Maxi
Voltage rating	335	Veff Maxi
Dielectric withstanding voltage	1000	Veff mini
Insulation resistance	1000	MΩ mini

ENVIRONMENTAL

Operating temperature	-40/+90	° C
Hermetic seal	NA	Atm.cm3/s
Panel leakage	NA	

OTHER CHARACTERISTICS

Assembly instruction

Others :

*Coax Transmission Line Only

MECHANICAL CHARACTERISTICS

Center contact retention		
Axial force – Mating end	10	N mini
Axial force – Opposite end	10	N mini
Torque	NA	N.cm mini
Recommended torque		
Mating	NA	N.cm
Panel nut	NA	N.cm
Mating life	100	Cycles mini
Weight	1,7300	g

Issue : 0615 A

In the effort to improve our products, we reserve the right to make changes judged to be necessary.



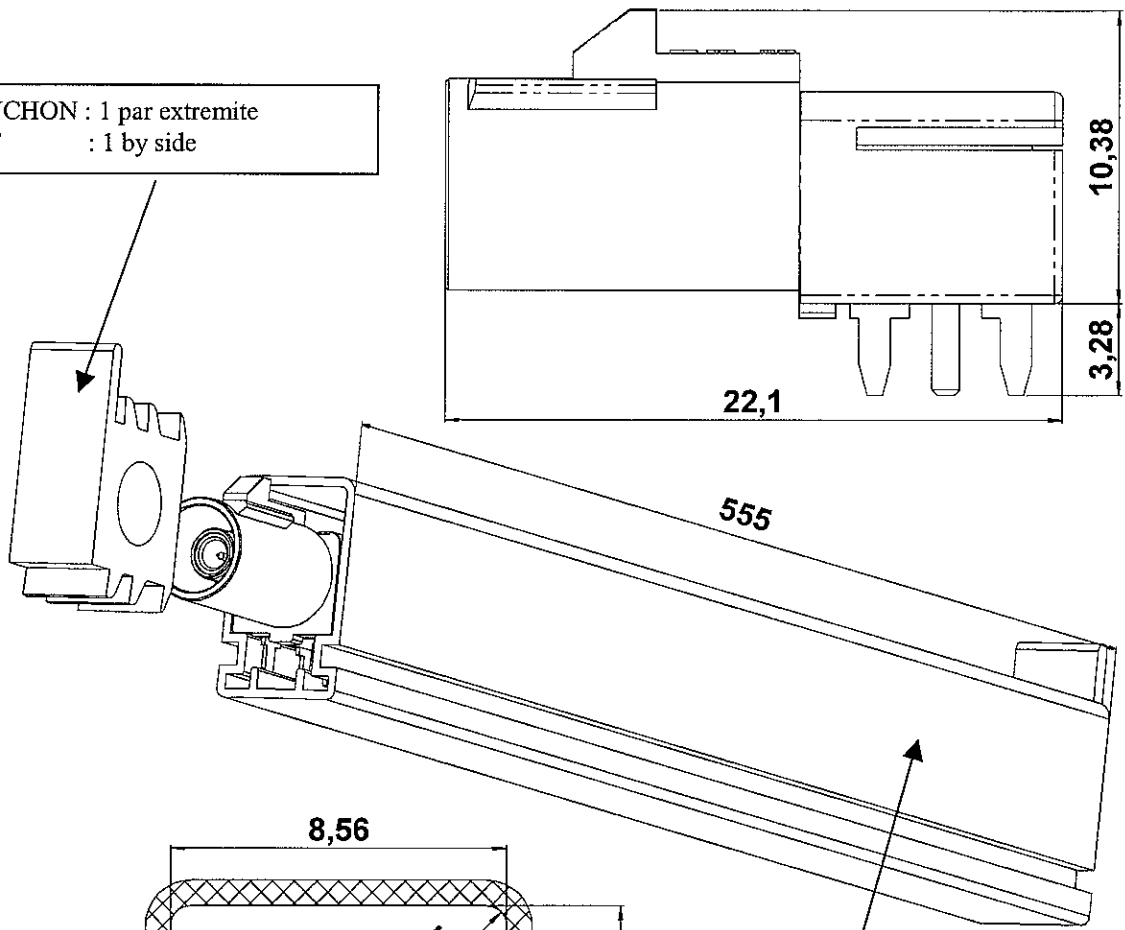
RADIALL®

R/A MALE RECEPTACLE FOR PCB
SOLDER LEGS - IN STICK PACKAGING BY 24

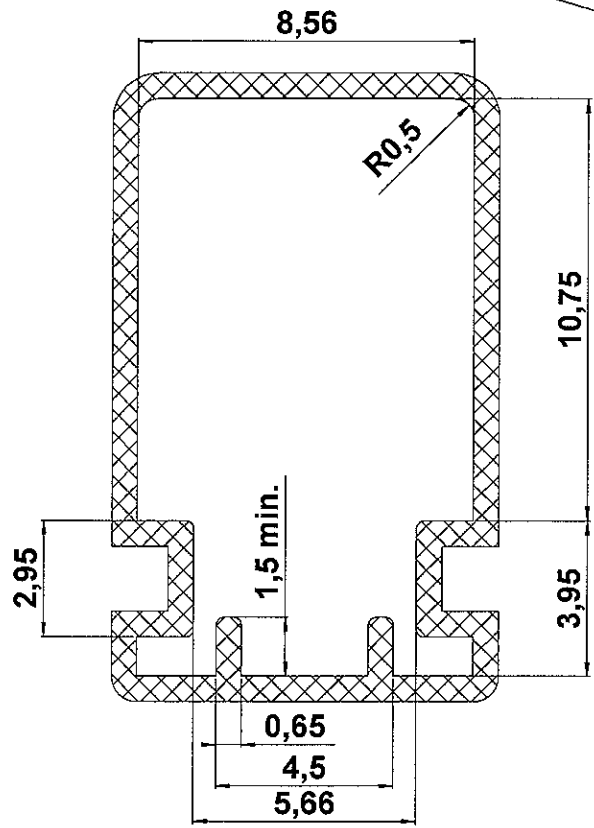
R197.166.A20

Series : SMB
 CARLOCK

BOUCHON : 1 par extremite
 NUT : 1 by side



BARETTE PVC ANTISTATIQUE
 ANTISTATIC PVC STICK



Issue : 0615 A

In the effort to improve our products, we reserve the right to make changes judged to be necessary.



RADIALL®